

ROLTEX MARCHINI CASSETTE FOLDING ARM AWNING SYSTEM

Compact, reliable and perfectly finished. The Roltex Marchini Cassette Folding Arm Awning System has been intelligently designed and engineered utilising the latest German manufacturing techniques

Protection

- The Roltex Marchini Cassette Folding Arm Awning offers complete protection against harsh ultra violet rays. The ergonomic design allows for up to 14000mm coverage in width and 3500mm in projection. Our marine grade textiles offer the best compromise between visibility and light transmission, while providing incomparable weather resistance and ease of maintenance.

Functionality

- Designed utilising innovative concealed mounting brackets, this ensures the ergonomically designed cassette appears clean and minimal in appearance. Lateral stability is achieved thanks to the Kombi Arm Assembly, ensuring fabric tension is maintained in all positions.

Technology

- All components are manufactured from heavy-duty drop forged aluminium, our unique cassette utilises 6061 grade extruded aluminium, components are protected with a durable powder coat finish (Dulux Powder Coat Chart).

Quality

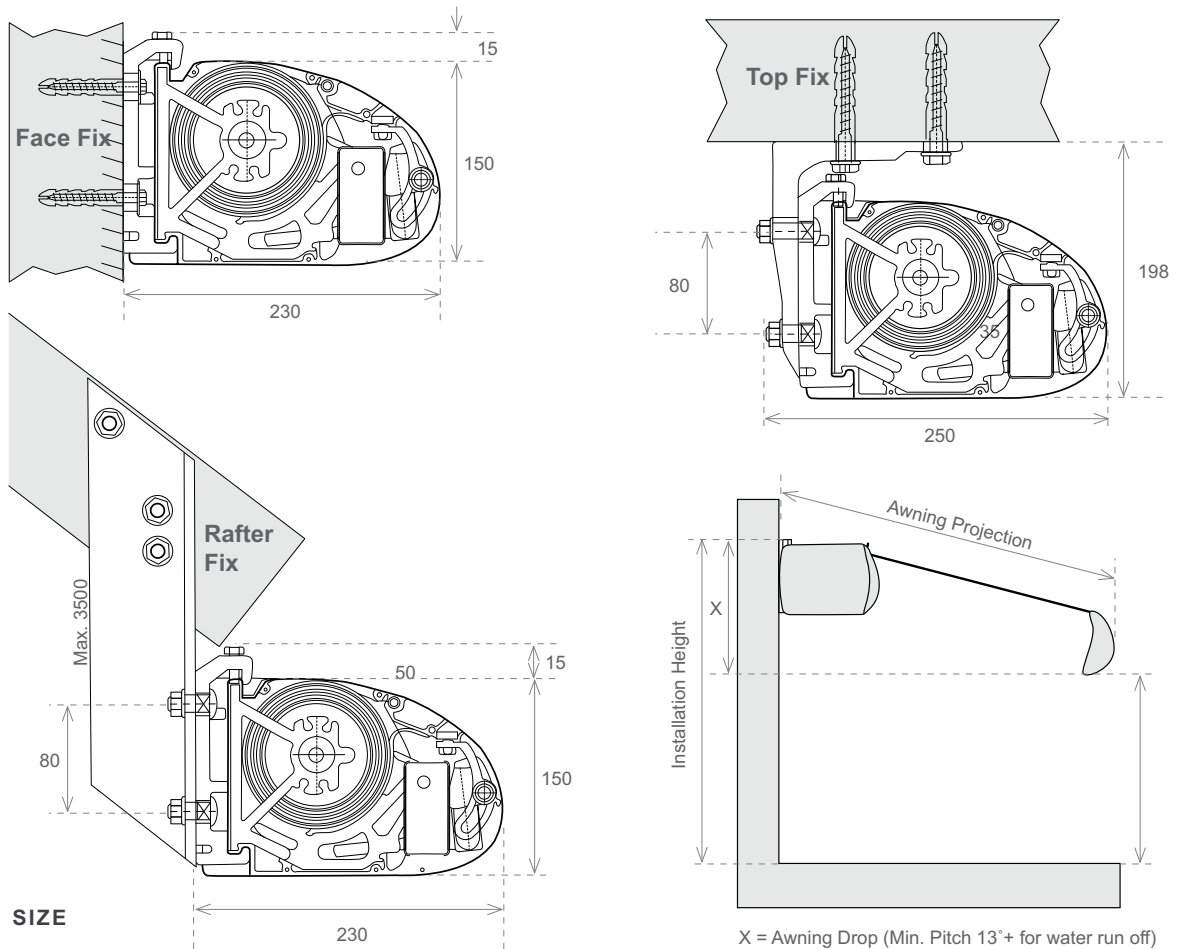
- Designed, engineered and manufactured in Germany, Certified ISO 9001 and safety tested by German TUV Product Service. Roltex Marchini Cassette Folding Arm Awnings Systems are assembled under German quality guidelines and assembly processes in Australia. Tecnic offers our experienced network superior quality and service that you can rely on.



ROLTEX MARCHINI CASSETTE FOLDING ARM AWNING

Please note illustrations are not to scale. All measurements are in millimetres. Please contact your Tecnic representative for additional information.

FIXING METHODS



AVAILABLE SIZES

WIDTH Max. 14000mm (over 7000mm coupled fabric applies) / Min. 2000mm
PROJECTION Max. 3500mm / Min. 1500mm

HEADBOX

MATERIAL 6061 grade extruded aluminium
DIMENSION Height: 165mm top/bottom, Depth: 230mm front/back
FINISH Standard finish is clear anodised or for custom colour select from Dulux Powder Coat Range

TOP ROLLER

MATERIAL 80mm diameter heavy-duty extruded aluminium

ARM ASSEMBLY

MATERIAL 6061 grade extruded aluminium with 4mm wall thickness
INTERNAL SPRING ASSEMBLY heavy-duty 8 gauge tensile steel dual spring assembly with dual 3mm PVC coated 316 stainless steel cable providing unparalleled fabric tension

END CAPS

MATERIAL Powder coated cast aluminium providing a minimal profile appearance ideal for reveal installations

FIXING METHODS

TYPE Concealed mounting brackets for face fixing, top fix and rafter brackets are also available

CONTROL OPTIONS

CRANK OPERATION Cast aluminium, 5.1 ratio, Gear 130X with extruded aluminium crank mechanism
ELECTRIC MOTOR Tubular motor mounted internally within top roller. Aluminium case complete with built-in limit switches. Extensive range of control options available

FABRIC OPTIONS

MARINE GRADE ACRYLIC 100% dope dyed acrylic "Sunacrylic" fibre - Dickson Orchestra available
SUNSCREEN MESH High tenacity polyester core yarn sunscreen - Soltis 93 (5% openness) Soltis 86 (%15 openness)

COLOUR OPTIONS Frame Natural Anodised standard

Optional powder coating to any standard Dulux Colour

Available from:
Melbourne Shade Systems
215A Nepean Hwy, Gardenvale, Vic 3185
Ph: 9596 3333 Fax: 9596 3755
info@shadesystems.com.au



www.shadesystems.com.au

TECNIC