



SOLARO EXTERNAL BLIND SYSTEMS

The Solaro External Blind System efficiently controls the entry of light and UV rays, protecting the interior and exterior of your building from inclement weather conditions. Air-conditioning running costs can be enormously reduced when Solaro External Blind Systems are partnered with Tecnic control equipment.

Protection - Our fabric range delivers the ultimate balance between visibility and light transmission. The technical strength of our fabrics offer the highest level of weather resistance ensuring maintenance requirements are kept to a minimum for many years to come.

Functionality - Choose between manual gear operation or an electrically operated tubular motor. Numerous control possibilities are available from standard remote operation through to fully automated systems.

Technology - Our architecturally designed head box ensures integration with your building facade is made easy. Solaro TS 95 and TS 110 utilise 316 stainless steel side guides for tracking the blind. The Solaro TS ZIP system firmly holds the fabric edges under tension within a polyurethane spline which is inserted within extruded aluminum side-tracks.

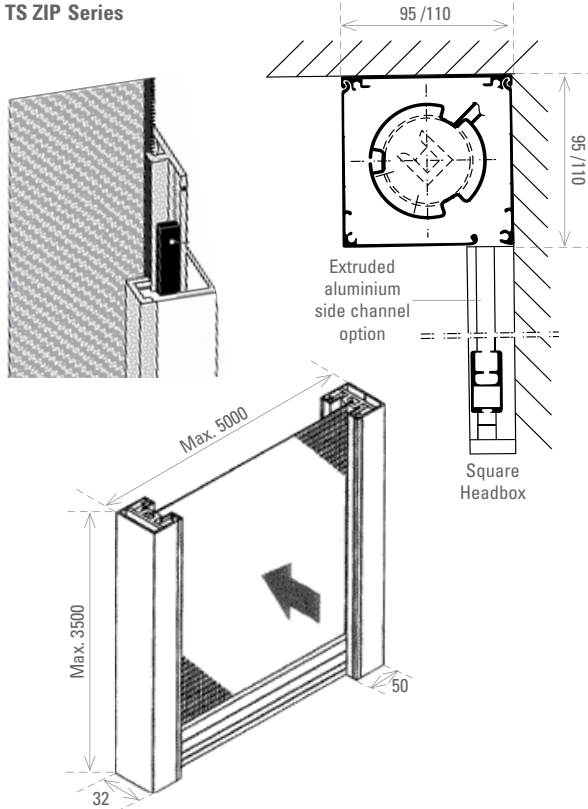
Quality - Designed and engineered to last, Solaro External Blind Systems utilise the very latest in European design techniques. Tecnic has developed a renowned quality culture which permeates through every aspect of our business from design, manufacture, through to after market service.



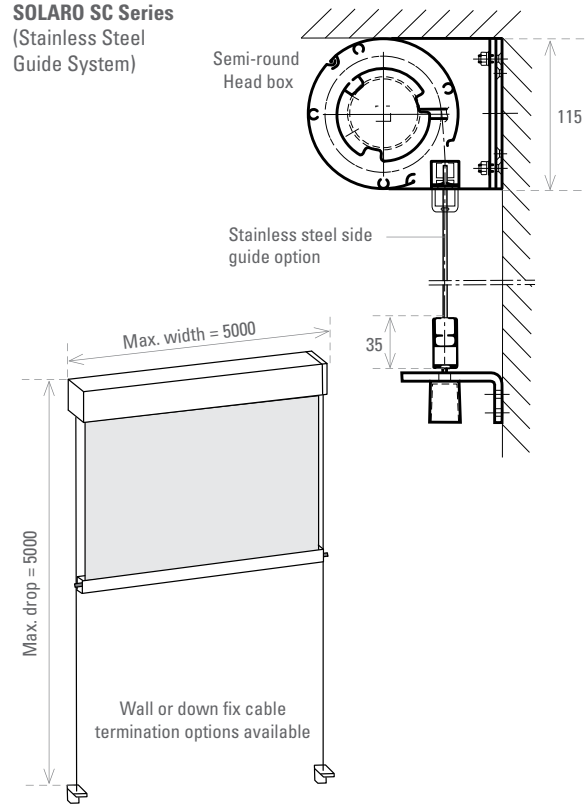
SOLARO TS95/110/ZIP EXTERNAL BLIND SPECIFICATIONS

Please note illustrations are not to scale. All measurements are in millimetres. Please contact your Tecnic representative for additional information.

TS ZIP Series



SOLARO SC Series (Stainless Steel Guide System)



SOLARO EXTERNAL BLIND BENEFITS

- ☒ Somfy Tubular Motors and Control Equipment are optional.
- ☒ Somfy Sun, Wind, Heat, and Timer controls are easily intergrated.
- ☒ All relevant technical data and wiring diagrams are available on request.
- ☒ Headbox sizes are determined by width and drop requirements.

SIZES

WIDTH	Max. 5000mm / Min. 700mm
DROP	Max. 8000mm / Min. 300mm
COVERAGE	Max. Area 15 SqM

TOP ROLLER

MATERIAL	Extruded aluminium with additional webbing
DIAMETER	65mm - 80mm
WALL THICKNESS	3.5 mm

HEAD BOX

MATERIAL	3 piece powder coated extruded aluminium
DIMENSION	Overall Height: 95-110mm, Overall Depth: 95-110mm

BASE BAR

MATERIAL	Powder coated extruded aluminium with end caps
SIZE	40mm diameter or 35mm x 18mm rectangle profile

CONTROL OPTIONS

CRANK OPERATION	Cast aluminium, 5.1 ratio, Gear 130X with extruded aluminium crank mechanism
ELECTRIC MOTOR	Tubular motor mounted internally within top roller. Aluminium case complete with built-in limit switches. Extensive range of control options available

FIXING METHOD

SQUARE HEADBOX	Top or face fix through headbox
SEMI-ROUND HEADBOX	Top or face fix at each end of system

SIDE GUIDE

MATERIAL	3 or 5mm diameter 316 stainless steel cable with seafast turnbuckle
----------	---------------------------------------------------------------------

SIDE CHANNEL

MATERIAL	Powder coated extruded aluminium
SIZE	20mm wide x 126mm depth

FABRIC OPTIONS

SUNSCREEN MESH	High tenacity polyester core yarn sunscreen - Soltis 86 (15% openness) 92/93 (5% openness) ranges
----------------	---------------------------------------------------------------------------------------------------

COLOUR OPTIONS

OR ANY DULUX POWDER COAT COLOUR	White/RAL 9016	Natural Annodised	Light Grey/RAL 7038	Grey Brown/RAL 8019
---------------------------------	----------------	-------------------	---------------------	---------------------

Available from
MELBOURNE SHADE SYSTEMS | 215a Nepean Hwy, Gardenvale (Brighton) Vic 3185
ph: 9596 3333; f: 9596 3755

SOLTIS® 86

WIDTH: 177 cm

WEIGHT: 380 g/sqm



FACADE BLINDS



GLASSROOF BLINDS



VERANDA BLINDS

G U A R A N T E E S A N D L A B E L S



ADVANTAGES

- FERRARI PRÉCONTRAIT® TECHNOLOGY
- TEAR STRENGTH WITHOUT ANY ADDITIONAL REINFORCEMENT
- LOW SPACE REQUIREMENT
- NO BAGGING OR SAGGING
- WEATHER- AND DIRT- RESISTANT
- A SUN PROTECTION ALLOWING MORE LIGHT TRANSMISSION
- NEW METALLIZED FINISHES AND COORDINATED RANGE WITH SOLTIS® 92
- 23 COLOURS: PLEASE CONSULT OUR COLOUR SAMPLE CHART

COLOURS AND REFERENCES (COLOURS GIVEN FOR INDICATION)



Ref. 86-2045

	Ref. 86-2001		Ref. 86-2040
	Ref. 86-2002		Ref. 86-2042
	Ref. 86-2003		Ref. 86-2043
	Ref. 86-2006		Ref. 86-2044
	Ref. 86-2011		Ref. 86-2046
	Ref. 86-2012		Ref. 86-2047
	Ref. 86-2022		Ref. 86-2048
	Ref. 86-2024		Ref. 86-2053
	Ref. 86-2027		Ref. 86-2069
	Ref. 86-2030		Ref. 86-2077
	Ref. 86-2035		Ref. 86-2078

TECHNICAL CHARACTERISTICS

TECHNICAL CHARACTERISTICS	SOLTIS® 86	
WEIGHT	380 g/sqm	EN ISO 2286-2
THICKNESS	0.43 mm	
WIDTH	177 cm	
TENSILE STRENGTH (WARP/WEFT)	230/160 daN/5 cm	EN ISO 1421
TEAR STRENGTH (WARP/WEFT)	45/20 daN/5 cm	DIN 53.363
FLAME RETARDANCY	M1/NFP 92.503 - B1/DIN 4102 - BS 7837 M1/UNE 23727-90- ONORM B 3800 - CLASS 1/CSE 3/77 SN 198 898 - NFPA 701 - T19 - ASTM E 84-95 - AS 1530	
QUALITY MANAGEMENT SYSTEM	ISO 9000	

The technical characteristics shown are average values given as a guide and may be modified.

FERRARI



SOLARO EXTERNAL BLINDS

SYSTEM TYPE	TS95	TS110	TS0080
Head Box Type	95mm X 95mm	110mm X 110mm	No Head Box
Std. Colour	Clear Annodised	Clear Annodised	No Standard Colour
Min. Width	700mm	700mm	700mm
Max. Width	3,500mm	4,800mm	4,600mm
Min. Drop	N/A	N/A	N/A
Max. Drop	4,500mm	6,000mm	6,700
Max. Square Metres	15sqm	15sqm	15sqm

Available Fabrics	Soltis 86/92/93
Fixing Method	Through top or back of headbox
Bottom Rail Options	45x30x18 rectange
Side Guide Cables	3mm or 5mm thick - 316 stainless steel
Side Guide Cables Fixings	"L" Bracket, Deck Plate, Flush Mount
Crank Lengths Available	