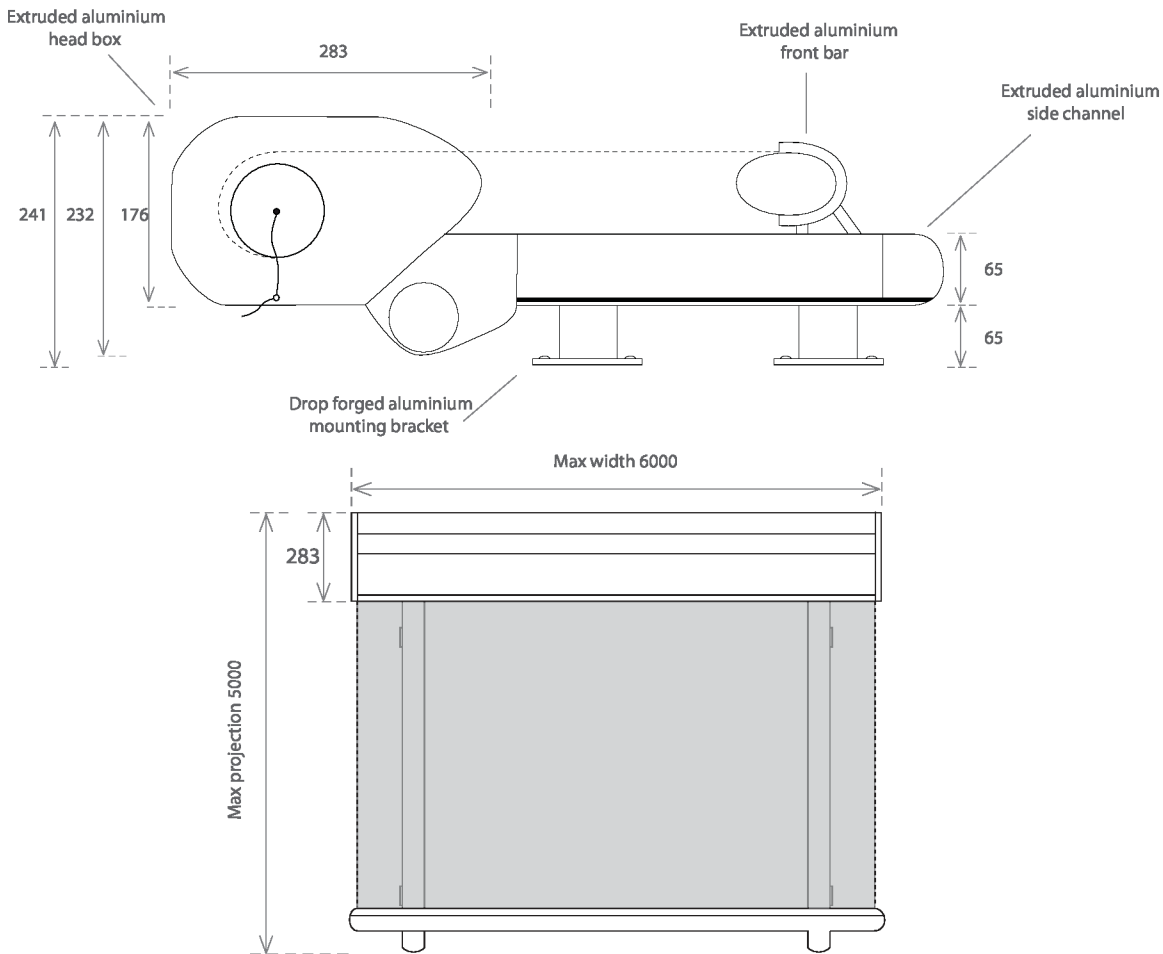


ROLTEX TR3000 RETRACTABLE ROOF SYSTEM SPECIFICATIONS

Please note illustrations are not to scale. All measurements are in millimetres. Please contact your Tecnic representative for additional information.



SIZES	
WIDTH	Min 1350mm Max 6000mm
PROJECTION	Min 1250mm Max 5000mm
COLOURS	
STANDARD	White/White Aluminium/Black
OPTIONAL	3 standard colours 300 colours available in the European RAL Powder Coat Range
OPERATION	
ELECTRICAL	Remote operation. Optional - wind, sun, rain sensors and timer or interface with BMS
SIDE CHANNELS	
MATERIAL	Powder coated 6061 grade extruded aluminium with Kevlar belt drive mechanism within channel
HEAD BOX	
MATERIAL	Powder coated 6061 extruded aluminium
SIZE	176mm x 283mm (241 mm overall height)
TOP ROLLER	
MATERIAL	Heavy-duty galvanised roller tube
DIAMETER	85mm
FRONT BAR	
MATERIAL	Powder coated 6061 extruded aluminium
SIZE	85mm x 60mm
MOUNTING BRACKETS	
MATERIAL	Forged aluminium and stainless steel allen key connections
FABRIC	
MARINE GRADE ACRYLIC	100% dope dyed acrylic "Sunacrylic" fibre - Orchestra, Symphony, Opera ranges are available
SUNSCREEN MESH	High tenacity polyester core yarn sunscreen - Soltis 86 (15% openness) 92/93 (5% openness) ranges
STANDARD COLOUR OPTIONS OR CUSTOM COLOUR ON REQUEST	
	White/RAL 9016
	White Aluminium/RAL 9006
	Black/RAL 8022

Available from:
Melbourne Shade Systems
 215A Nepean Hwy, Gardenvale, Vic 3185
 Ph: 9596 3333 Fax: 9596 3755
 info@shadesystems.com.au

